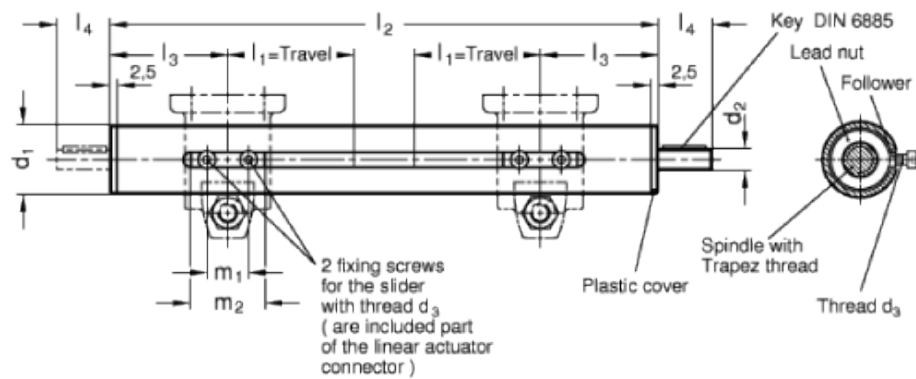


GN 292

Linear actuators



technical informations

Guide tube

- Precision steel tube, chrome-plated SCR, DIN 2391.
- Stainless Steel AISI 304 NI * (*usually not available from stock)

Trapezoidal thread on shaft

Steel thrust ball bearings.

Follower nut

Gun metal.

End caps

Plastic.

Types

Type RL1: Shaft end protruding at one end only.

Type RL2: Shaft end protruding at both ends.

Material

Guide tube, precision steel tube, chrome-plated SCR, DIN 2391.

Assembly

Sliders, connector clamps and accessoires have to be ordered separately.

Features and applications

In addition to the standard travel lengths specified in the above table for linear actuator GN 292 any length inside the maximum length is available.

Besides the extensive range of tube clamp connectors there are a number of additional components for mounting on the linear actuator to build slider units.

In order to measure the movement and positioning of the sliders, digital as well as analogue position indicators can be added and furthermore the guide tube can be provided with a longitudinal scale along the slot.

Accessories

Linear actuator connectors, tube clamp connectors and accessory have to be ordered separately.

Special executions on request (For sufficient quantities)

- Special lengths

| Standard Elements | | Main dimensions | | | | | | | | | | Shaft key spring | Weight | | |
|-----------------------|----------------|-----------------|--------|-------------|------------------|----------------|----------------|------------------------|----------------|----------------|----------------|------------------|----------------|------------------|------|
| Description | d ₁ | l ₁ | Stroke | max. stroke | Threaded spindle | d ₂ | f ₇ | d ₃ | l ₂ | l ₃ | l ₄ | m ₁ | m ₂ | for key DIN 6885 | g |
| GN 292-18-120-RL1-SCR | 18 | 120* | | 167 | TR10x3 | 6 | M 3 | 2x l ₁ +171 | 70 | 16 | 17 | 24 | | A2x2x12 | 440 |
| GN 292-30-130-RL1-SCR | 30 | 130* | | 601 | TR14x4 | 8 | M 4 | 2x l ₁ +253 | 102.5 | 16 | 23 | 38 | | A2x2x12 | 1250 |
| GN 292-40-205-RL1-SCR | 40 | 205* | | 753 | TR20x4 | 12 | M 5 | 2x l ₁ +299 | 117.5 | 17 | 42 | 54 | | A4x4x12 | 3560 |
| GN 292-40-255-RL1-SCR | 40 | 255* | | 753 | TR20x4 | 12 | M 5 | 2x l ₁ +299 | 117.5 | 17 | 42 | 54 | | A4x4x12 | 3700 |
| GN 292-50-300-RL1-SCR | 50 | 300* | | 748 | TR20x4 | 12 | M 6 | 2x l ₁ +309 | 120 | 18 | 42 | 54 | | A4x4x12 | 6400 |
| GN 292-50-350-RL1-SCR | 50 | 350* | | 748 | TR20x4 | 12 | M 6 | 2x l ₁ +309 | 120 | 18 | 42 | 54 | | A4x4x12 | 6700 |
| GN 292-60-300-RL1-SCR | 60 | 300* | | 715 | TR24x5 | 14 | M 8 | 2x l ₁ +375 | 142.5 | 19 | 58 | 70 | | A5x5x16 | 9900 |
| GN 292-18-120-RL2-SCR | 18 | 120* | | 167 | TR10x3 | 6 | M 3 | 2x l ₁ +171 | 70 | 16 | 17 | 24 | | A2x2x12 | 440 |
| GN 292-30-130-RL2-SCR | 30 | 130* | | 601 | TR14x4 | 8 | M 4 | 2x l ₁ +253 | 102.5 | 16 | 23 | 38 | | A2x2x12 | 1250 |
| GN 292-40-205-RL2-SCR | 40 | 205* | | 753 | TR20x4 | 12 | M 5 | 3x l ₁ +299 | 117.5 | 17 | 42 | 54 | | A4x4x12 | 3560 |
| GN 292-40-255-RL2-SCR | 40 | 255* | | 753 | TR20x4 | 12 | M 5 | 2x l ₁ +299 | 117.5 | 17 | 42 | 54 | | A4x4x12 | 3700 |
| GN 292-50-300-RL2-SCR | 50 | 300* | | 748 | TR20x4 | 12 | M 6 | 2x l ₁ +309 | 120 | 18 | 42 | 54 | | A4x4x12 | 6400 |
| GN 292-50-350-RL2-SCR | 50 | 350* | | 748 | TR20x4 | 12 | M 6 | 2x l ₁ +309 | 120 | 18 | 42 | 54 | | A4x4x12 | 6700 |
| GN 292-60-300-RL2-SCR | 60 | 300* | | 718 | TR24x5 | 14 | M 8 | 2x l ₁ +375 | 142.5 | 19 | 58 | 70 | | A5x5x16 | 9900 |

* This sizes are usually not on stock.



